

Visit nipponpulse.com to download 3D CAD drawings and 2D prints of this motor.

	S320D		S320T		S320Q		
Electrical Specs	S320D	S320D 1S	S320T	S320T 1S	S320Q	S320Q 2S	S320Q 1S
Continuous Force ¹	56N (12.59lbs)	55N (12.37lbs)	85N (19.11lbs)	80N (17.99lbs)	113N (25.40lbs)	104N (23.38lbs)	
Continuous Current ¹	1.2Arms	2.4Arms	1.2Arms	3.5Arms	1.2Arms	2.3Arms	4.6Arms
Acceleration Force ²	226N (50.81lbs)	221N (49.69lbs)	338N (75.99lbs)	318N (71.49lbs)	451N (101.39lbs)	417N (93.75lbs)	
Acceleration Current ²	5.0Arms	9.8Arms	5.0Arms	14Arms	5.0Arms	9.2Arms	18.4Arms
Force Constant (K _f)	45N/Arms	23N/Arms	68N/Arms	23N/Arms	91N/Arms	45N/Arms	23N/Arms
Back EMF (K _e)	15V/m/s	7.6V/m/s	23V/m/s	7.6V/m/s	30V/m/s	15V/m/s	7.6V/m/s
Resistance 25°C ³	11Ω	2.8Ω	17Ω	1.9Ω	23Ω	5.8Ω	1.4Ω
Inductance ³	17mH	4.3mH	26mH	2.9mH	34.0mH	8.5mH	2.1mH
Electric Time Constant	1.55ms		1.53ms		1.48ms		
Max. Rated Voltage (AC)	240V						
Fundamental Motor Constant (K _m)	13.84N√W	13.66N√W	17.62N√W	16.49N√W	20.49N√W	18.89N√W	
Magnetic Pitch (North-North)	120mm						

Is this the proper Linear Shaft Motor for your application? Use our [SMART sizing program](#) to assist in your decision.

This motor can be customized to fit your application demands; contact your application engineer for more information.

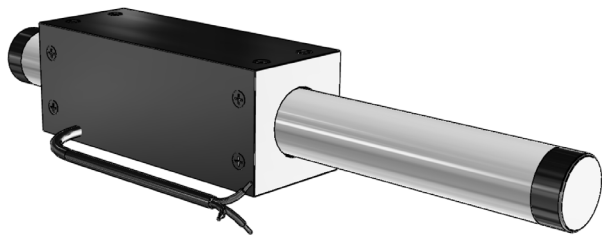
¹ Based on a temp rise of coil surface of 110°K over 25°C ambient temperature stalled forcer, and no external cooling or heat sinking.

² Can be maintained for a maximum of 40 seconds. Higher forces and current possible for short periods of time, consult Nippon Pulse for more information.

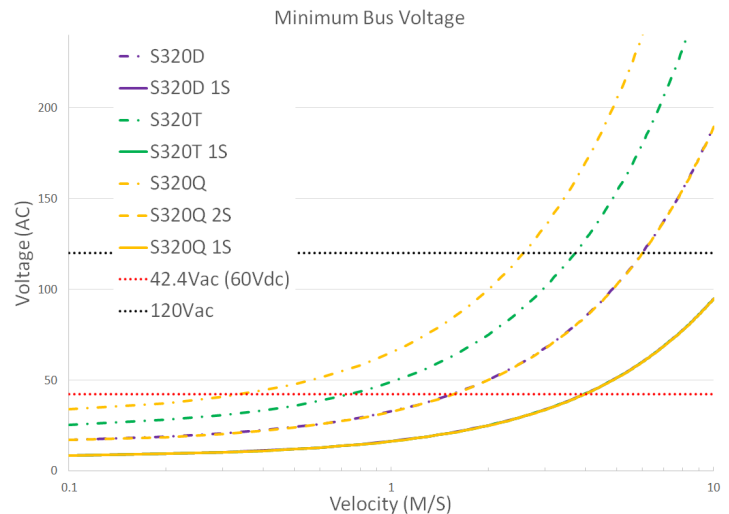
³ All winding parameters listed are measured line-to-line (phase-to-phase).

Thermal Specs	S320D	S320T	S320Q
Max Phase Temperature ⁴	135°C (275°F)		
Thermal Resistance (Coil) (K _c)	6.7°C/W (44.1°F/W)	4.7°C/W (40.5°F/W)	3.6°C/W (38.5°F/W)

⁴ The standard temperature difference between the coil and the forcer surface is 25°C.



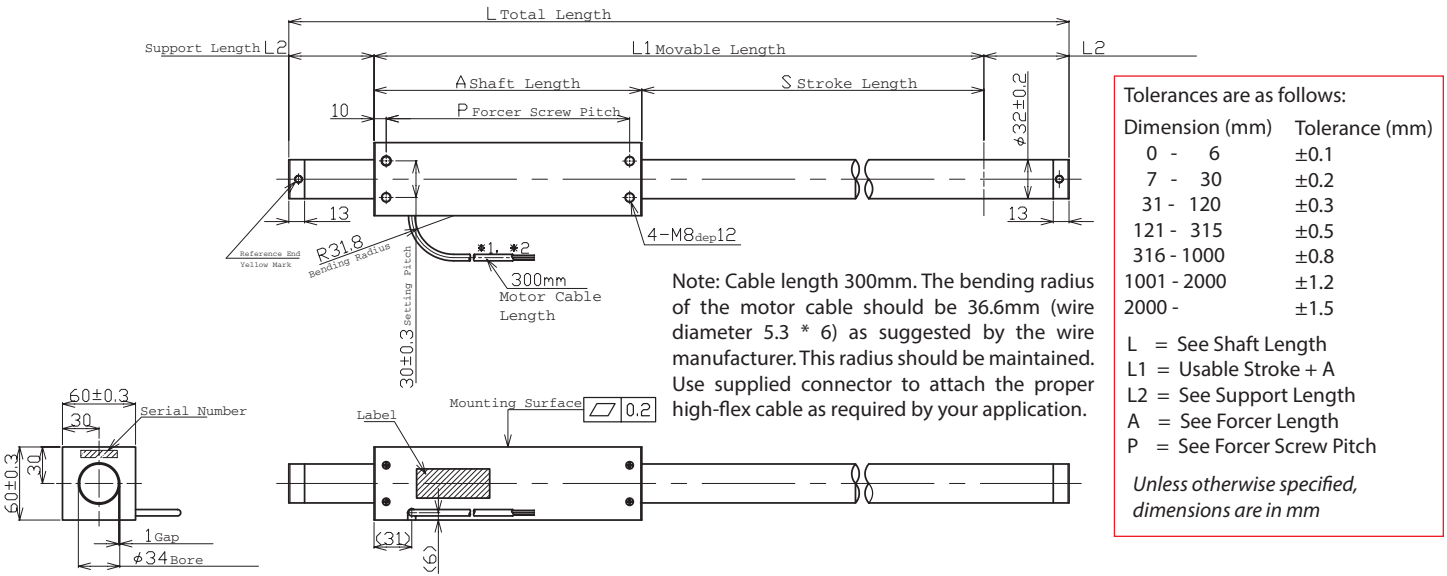
Bus Voltage



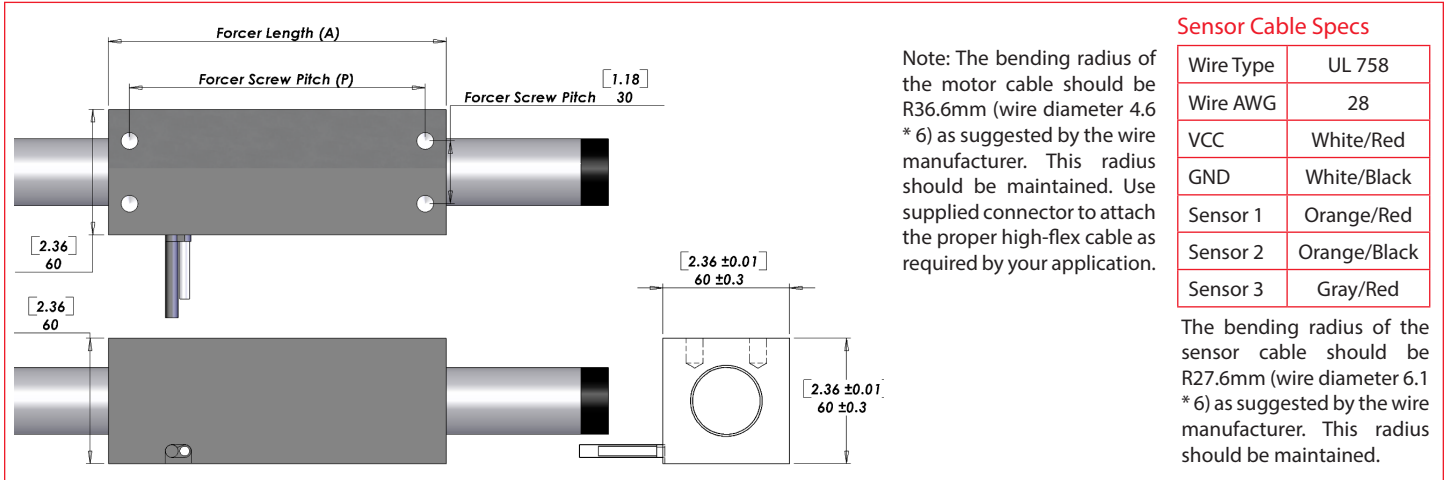
Part Numbering System

S	—	Shaft Size	320	—	Forcer Size (A)	X	—	Parallel Option	XX	—	Usable Stroke (S)	XXXXst	—	Options	XX	—	Options	XX			
					D: Double (2) windings	T: Triple (3) windings	Q: Quadruple (4) windings		Blank: Single Motor	PL: Parallel Motors	100-2000mm			Blank: Standard	WP: Water Resistant	HA: Digital Hall Effect	CE: CE type motor	FG: Frame Ground	Blank: Standard	FO: Forcer Only	SO: Shaft Only

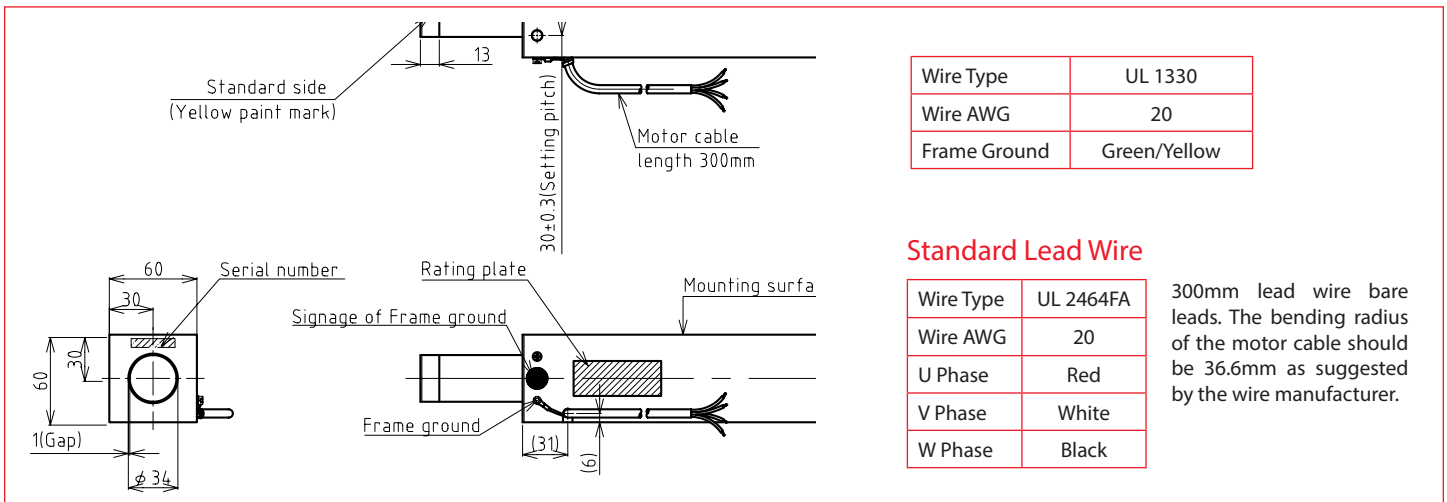
Forcer Specs	S320D	S320T	S320Q
Forcer Length (A)	160mm (6.3in)	220mm (8.7in)	280mm (11.0in)
Forcer Width	60mm (2.36in)		
Forcer Screw Pitch (P)	140mm (5.51in)	200mm (7.9in)	260mm (10.2in)
Forcer Weight	1.2kg (2.6lbs)	1.7kg (3.7lbs)	2.2kg (4.9lbs)
Gap	1.00mm (0.04in)		



Hall Effect Specs



FG Type Motor Cable



Shaft Length (L)

Stroke	S320D	S320T	S320Q
100	Stroke is less than the electrical cycle length. Contact Nippon Pulse.		
150	410mm (16.1in)	470mm (18.5in)	530mm (20.9in)
200	460mm (18.1in)	520mm (20.5in)	580mm (22.8in)
250	510mm (20.1in)	570mm (22.4in)	630mm (24.8in)
300	560mm (22in)	620mm (24.4in)	680mm (26.8in)
350	610mm (24in)	670mm (26.4in)	730mm (28.7in)
400	660mm (26in)	720mm (28.3in)	780mm (30.7in)
450	710mm (28in)	770mm (30.3in)	830mm (32.7in)
500	760mm (29.9in)	820mm (32.3in)	880mm (34.6in)
550	810mm (31.9in)	870mm (34.3in)	930mm (36.6in)
600	860mm (33.9in)	920mm (36.2in)	980mm (38.6in)
650	910mm (35.8in)	970mm (38.2in)	1030mm (40.6in)
700	960mm (37.8in)	1020mm (40.2in)	1080mm (42.5in)
750	1010mm (39.8in)	1070mm (42.1in)	1130mm (44.5in)
800	1100mm (43.3in)	1160mm (45.7in)	1220mm (48in)
850	1150mm (45.3in)	1210mm (47.6in)	1270mm (50in)
900	1200mm (47.2in)	1260mm (49.6in)	1320mm (52in)
950	1250mm (49.2in)	1310mm (51.6in)	1370mm (53.9in)
1000	1300mm (51.2in)	1360mm (53.5in)	1420mm (55.9in)
1050	1350mm (53.1in)	1410mm (55.5in)	1470mm (57.9in)
1100	1400mm (55.1in)	1460mm (57.5in)	1520mm (59.8in)
1150	1450mm (57.1in)	1510mm (59.4in)	1570mm (61.8in)
1200	1500mm (59.1in)	1560mm (61.4in)	1620mm (63.8in)
1250	1550mm (61in)	1610mm (63.4in)	1670mm (65.7in)
1300	1600mm (63in)	1660mm (65.4in)	1720mm (67.7in)
1350	1650mm (65in)	1710mm (67.3in)	1770mm (69.7in)
1400	1700mm (66.9in)	1760mm (69.3in)	1820mm (71.7in)
1450	1750mm (68.9in)	1810mm (71.3in)	1870mm (73.6in)
1500	1800mm (70.9in)	1860mm (73.2in)	1920mm (75.6in)
1550	1910mm (75.2in)	1970mm (77.6in)	2030mm (79.9in)
1600	2020mm (79.5in)	2080mm (81.9in)	2140mm (84.3in)
1650	2130mm (83.9in)	2190mm (86.2in)	2250mm (88.6in)
1700	2240mm (88.2in)	2300mm (90.6in)	2360mm (92.9in)
1750	2350mm (92.5in)	2410mm (94.9in)	2470mm (97.2in)
1800	2460mm (96.9in)	2520mm (99.2in)	2580mm (101.6in)
1850	2570mm (101.2in)	2630mm (103.5in)	2690mm (105.9in)
1900	2680mm (105.5in)	2740mm (107.9in)	2800mm (110.2in)
1950	2790mm (109.8in)	2850mm (112.2in)	2910mm (114.6in)
2000	2900mm (114.2in)	2960mm (116.5in)	3020mm (118.9in)

Shaft Mass

Stroke	S320D	S320T	S320Q
100	Stroke is less than the electrical cycle length. Contact Nippon Pulse.		
150	2.1kg (4.6lb)	2.4kg (5.4lb)	2.8kg (6.1lb)
200	2.4kg (5.2lb)	2.7kg (6lb)	3kg (6.7lb)
250	2.7kg (5.8lb)	3kg (6.6lb)	3.3kg (7.3lb)
300	2.9kg (6.5lb)	3.3kg (7.2lb)	3.6kg (8lb)
350	3.2kg (7.1lb)	3.6kg (7.8lb)	3.9kg (8.6lb)
400	3.5kg (7.7lb)	3.8kg (8.5lb)	4.2kg (9.2lb)
450	3.8kg (8.3lb)	4.1kg (9.1lb)	4.5kg (9.8lb)
500	4.1kg (8.9lb)	4.4kg (9.7lb)	4.7kg (10.4lb)
550	4.3kg (9.6lb)	4.7kg (10.3lb)	5kg (11.1lb)
600	4.6kg (10.2lb)	5kg (10.9lb)	5.3kg (11.7lb)
650	4.9kg (10.8lb)	5.2kg (11.6lb)	5.6kg (12.3lb)
700	5.2kg (11.4lb)	5.5kg (12.2lb)	5.9kg (12.9lb)
750	5.5kg (12.1lb)	5.8kg (12.8lb)	6.1kg (13.5lb)
800	5.8kg (12.9lb)	6.2kg (13.6lb)	6.5kg (14.4lb)
850	6.1kg (13.5lb)	6.5kg (14.3lb)	6.8kg (15lb)
900	6.4kg (14.1lb)	6.7kg (14.9lb)	7.1kg (15.6lb)
950	6.7kg (14.7lb)	7kg (15.5lb)	7.4kg (16.2lb)
1000	7kg (15.4lb)	7.3kg (16.1lb)	7.6kg (16.9lb)
1050	7.3kg (16lb)	7.6kg (16.7lb)	7.9kg (17.5lb)
1100	7.5kg (16.6lb)	7.9kg (17.4lb)	8.2kg (18.1lb)
1150	7.8kg (17.2lb)	8.2kg (18lb)	8.5kg (18.7lb)
1200	8.1kg (17.9lb)	8.4kg (18.6lb)	8.8kg (19.3lb)
1250	8.4kg (18.5lb)	8.7kg (19.2lb)	9.1kg (20lb)
1300	8.7kg (19.1lb)	9kg (19.8lb)	9.3kg (20.6lb)
1350	8.9kg (19.7lb)	9.3kg (20.5lb)	9.6kg (21.2lb)
1400	9.2kg (20.3lb)	9.6kg (21.1lb)	9.9kg (21.8lb)
1450	9.5kg (21lb)	9.8kg (21.7lb)	10.2kg (22.4lb)
1500	9.8kg (21.6lb)	10.1kg (22.3lb)	10.5kg (23.1lb)
1550	10.2kg (22.5lb)	10.5kg (23.3lb)	10.9kg (24lb)
1600	10.5kg (23.1lb)	10.8kg (23.9lb)	11.2kg (24.6lb)
1650	10.8kg (23.8lb)	11.1kg (24.5lb)	11.5kg (25.2lb)
1700	11.1kg (24.4lb)	11.4kg (25.1lb)	11.7kg (25.9lb)
1750	11.3kg (25lb)	11.7kg (25.7lb)	12kg (26.5lb)
1800	11.6kg (25.6lb)	12kg (26.4lb)	12.3kg (27.1lb)
1850	11.9kg (26.2lb)	12.2kg (27lb)	12.6kg (27.7lb)
1900	12.2kg (26.9lb)	12.5kg (27.6lb)	12.9kg (28.3lb)
1950	12.5kg (27.5lb)	12.8kg (28.2lb)	13.1kg (29lb)
2000	12.7kg (28.1lb)	13.1kg (28.8lb)	13.4kg (29.6lb)

Additional stroke lengths are available (up to 2310mm for S320D, 2250mm for S320T, and 2190mm for S320Q). Contact Nippon Pulse for more information.

CE Option - CE Type Lead Wire

Ground Wire	CE
Wire Type	UL 1330
Wire AWG	24
U Phase	Red
V Phase	White
W Phase	Black

300mm lead wire bare leads. The bending radius of the motor cable should be 18.96mm as suggested by the wire manufacturer. FG type with insulating sheet between coils and case. Meets all requirements of EN60034-1 (1998).

Forcer Spacing Distance

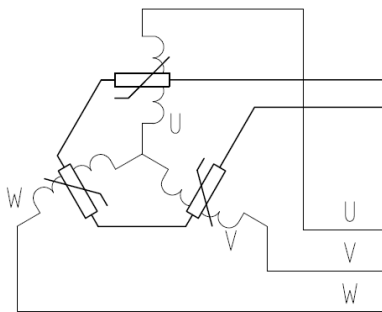
Spec	S320T	S320Q
Forcer Spacing Distance	20mm	
Pole (N/S) Distance	60mm	
Forcer Length	220mm	280mm
Flip Forcers	No	Yes

Tandem S320D forcers are possible, but are equivalent to one (1) S320Q forcer and thus are not listed above.

Tandem Forcer



THM Option



Circuit Diagram

4. Thermistor
PTCSL20T071DBE(Vishay)

Support and Bending

Stroke (D/T/Q)	Support Length (L2)	Max. Bending
0~750	50mm	0.00mm
751~1000	70mm	0.30mm
1001~1500	70mm	0.70mm
1501~max	100mm	0.70mm

Shaft Diameter (D) - 32mm ±0.2

Total Length (L)=Stroke (S)+Forcer Length (A)+(Support Length (L2)x2)

Connector (Motor Cable)

Receptacle Housing	HLR-03V
Plug Housing	HLP-03V
Retainer	HLS-03V
Pin Contact	SSM-21T-P1.4
Socket Contact	SSF-21T-P1.4

To be installed by the user.

Thermocouple

Thermal sensor
Thermocouple K type (marked each phase name)
Attached to the surface of inside of coil
Length 3000mm

Note: Metric units guaranteed. Imperial (United States customary) units are calculated.

For assistance in selecting the best motor for your application, contact Nippon Pulse
to speak with an applications engineer. 1-540-633-1677

www.nipponpulse.com