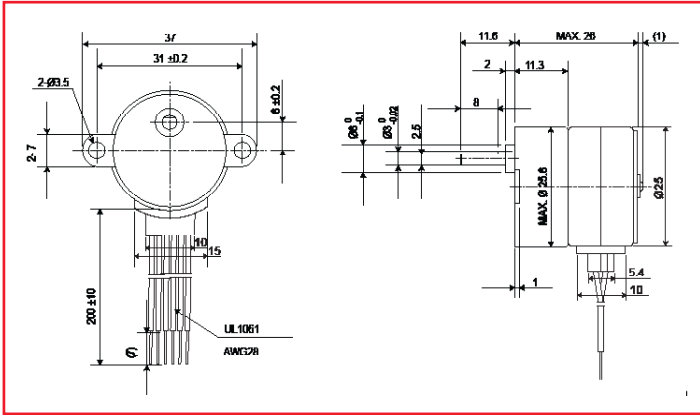




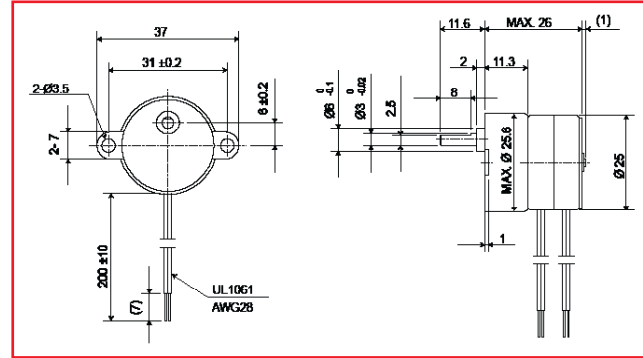
Nippon Pulse  
Your Partner in Motion Control

Tin-Can Steppers  
Gearhead Specs  
PF(C)25

PFC25 w/P Gearhead



PF25 w/P Gear Head



Gear Ratio	6/25	1/5	3/25	1/10	2/25	1/15	3/50	1/20
Ordinary Torque	20mN-m				50mN-m			
Destruction Torque	60mN-m				150mN-m			

Gear Ratio	1/25	1/30	1/50	1/60	1/75
Ordinary Torque	70mN-m				
Destruction Torque	210mN-m				

Gear Ratio	1/100	1/120	1/125	1/150	1/200	1/250	1/300
Ordinary Torque	100mN-m						
Destruction Torque	300mN-m						