

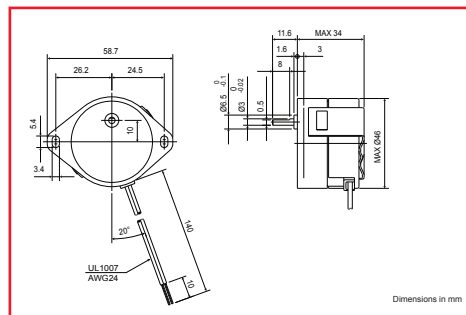
Specifications

Specifications	Units	PTM-12K			
Rated Voltage	V	12	24	100	200
Frequency	Hz	50/60			
Rated Current	mA	160/150	110/100	17/16	7.5/7
Revolutions	rpm	500/600			
Rotating Direction		Single Direction (CC/CCW)			
Torque @ 60Hz	mN-m	1.0/0.9			
Temperature Rise	K	35			
Operating Temp. Range	°C	-10 to +50			
Dielectric Strength	V	500Vac for 1 min.		1000Vac for 1 min.	1500Vac for 1 min.
Weight	g	90			

Magnet type: Anisotropic

Geared Models

PTM-12KG



Geared Motor Torque Characteristics

Model	PTM-12KG			
	Speed	Torque	Gear Ratio	
			50Hz	60Hz
rpm	mN-m			
10	50	1/50	1/60	
2	150	1/250	1/300	
1	200	1/500	1/600	

Single Direction Synchronous Motors

PTM - 24 B (GII) 100 - 50/60 - 2/2.4 CW
 1 2 3 4 5 6 7 8 9

1 - Series Designation

PTM: Flying lead joint

2 - Number of Poles

12: Speed is 500rpm w/50Hz

Speed is 600rpm w/60Hz

24: Speed is 250rpm w/50Hz

Speed is 300rpm w/60Hz

3 - Outer Diameter

B: 35mm

K: 42mm

E: 42mm (high output torque)

4 - Gear Head

Blank: No gear head

G: Gear head intergrated

5 - PTM-24BGII only

Denotes BG gear type II

6 - Supply Voltage

24, 100, 200 Vac
 voltage depends on model

7 - Power Frequency

50, 60, or 50/60Hz

8 - Rotating Speed

Line frequency of 60Hz
 makes the motor speed
 1.2 times higher than
 50Hz

9 - Direction

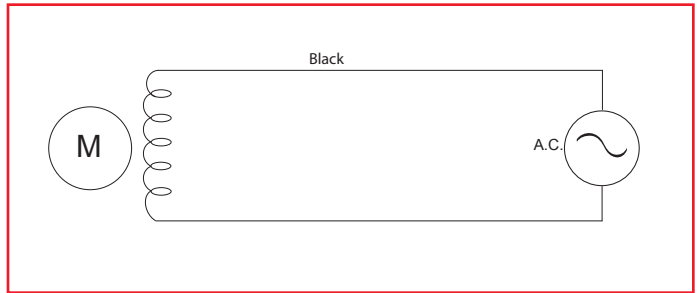
CW - Clockwise

CCW - Counterclockwise

Gear Ratio	rpm w/12 poles		rpm w/24 poles	
	50Hz	60Hz	50Hz	60 Hz
Motor only	500	600	250	300
1/10	50	60	25	30
1/50	10	12	5	6
1/100	5	6	2.5	3

Single Direction Synchronous Motor

Motors that are driven in just one direction, whether clockwise or counterclockwise, do not require any specific wiring to the AC power supply. A wiring diagram is below. The leadwires have no polarity.



About Nippon Pulse Synchronous Motors

No Power or Load Fluctuation Effect

Synchronous motors rotate in synch with supplied power frequency. If power frequency is constant, the motor will rotate at a constant speed (synchronized speed).

Impedance Protected

Unless otherwise stated, these motors provide high electrical resistance, which prevents overcurrent from flowing to the motor, which would in turn burn the coils.

No Control Circuit Required

Because these motors are AC motors, they start rotating when a power connection is made.

Excellent Response

The type of magnet used in these motors ensures excellent response and also ensures the motor will start and stop immediately when power is supplied or removed.